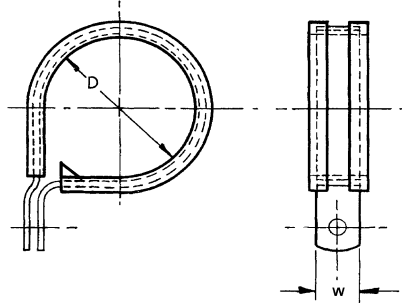


## CLAMPS (LOOP)

**MS21919**  
CUSHIONED

**AN742**  
NON CUSHIONED



**DG**



**WCH**



**WCJ**



**WDG**



**WH**



**AN742D**

D DIA	W ALUM	W STEEL	MS21919				AN742	
1/8	0.375	0.375	DG2	WCH2	WCJ2	WDG2	WH2	D2
3/16			DG3	WCH3	WCJ3	WDG3	WH3	D3
1/4			DG4	WCH4	WCJ4	WDG4	WH4	D4
5/16			DG5	WCH5	WCJ5	WDG5	WH5	-
3/8			DG6	WCH6	WCJ6	WDG6	WH6	D6
7/16			DG7	WCH7	WCJ7	WDG7	WH7	-
1/2			DG8	WCH8	WCJ8	WDG8	WH8	D8
9/16			DG9	WCH9	WCJ9	WDG9	WH9	-
5/8			DG10	WCH10	WCJ10	WDG10	WH10	D10
11/16			DG11	WCH11	-	WDG11	WH11	-
3/4	DG12	WCH12	WCJ12	WDG12	WH12	D12		
13/16	DG13	WCH13	-	WDG13	WH13	-		
7/8	DG14	WCH14	WCJ14	WDG14	WH14	-		
15/16	DG15	WCH15	-	WDG15	WH15	-		
1	DG16	WCH16	WCJ16	WDG16	WH16	-		
1-1/16	DG17	WCH17	-	WDG17	-	-		
1-1/8	DG18	WCH18	-	WDG18	WH18	-		
1-3/16	DG19	-	-	WDG19	-	-		
1-1/4	DG20	WCH20	WCJ20	WDG20	WH20	-		
1-5/16	-	-	-	WDG21	-	-		
1-3/8	-	WCH22	-	WDG22	WH22	-		
1-7/16	-	-	-	WDG23	-	-		
1-1/2	DG24	-	-	WDG24	-	-		
1-3/4	-	-	-	WDG28	-	-		
1-7/8	-	-	-	WDG30	-	-		
2	-	-	-	WDG32	-	-		
2-1/8	-	-	-	WDG34	-	-		
2-1/4	-	-	-	WDG36	-	-		
2-1/2	-	-	-	WDG40	-	-		
3	-	-	-	WDG48	-	-		

DG - ALUMINUM BAND WITH CHLOROPRENE CUSHION, NO WEDGE (212 deg.)  
 WDG - ALUMINUM BAND WITH CHLOROPRENE CUSHION, WITH WEDGE (212 deg.)  
 WCH - CRES BAND WITH SILICONE CUSHION, WITH WEDGE (400 deg.)  
 WCJ - CRES BAND WITH FLUROSILICONE CUSHION, WITH WEDGE (450 deg.)  
 WH - CARBON STEEL BAND WITH SILICONE CUSHION, WITH WEDGE (400 deg.)  
 AN742D - ALUMINUM BAND WITH NO CUSHION